

SG-BC065-9(13,19,25)T**640x512 12μm Thermal and 5MP Visible Bi-spectrum Bullet Camera**

- Thermal: 12μm 640×512
- Thermal lens: 9.1mm/13mm/19mm/25mm athermalized lens
- Visible: 1/2.8" 5MP CMOS
- Visible lens: 4mm/6mm/6mm/12mm
- Support tripwire/intrusion/abandon detection
- Support up to 20 color palettes
- 2/2 alarm in/out, 1/1 audio in/out
- Micro SD Card, IP67, PoE
- Support Fire Detect, Temperature Measurement

Specification

| Model Number | SG-BC065-9T | SG-BC065-13T | SG-BC065-19T | SG-BC065-25T |
|--------------------------|---|--------------|--------------|--------------|
| Thermal Module | | | | |
| Detector Type | Vanadium Oxide Uncooled Focal Plane Arrays | | | |
| Max. Resolution | 640×512 | | | |
| Pixel Pitch | 12μm | | | |
| Spectral Range | 8 ~ 14μm | | | |
| NETD | ≤40mk (@25°C, F#=1.0, 25Hz) | | | |
| Focal Length | 9.1mm | 13mm | 19mm | 25mm |
| Field of View | 48°×38° | 33°×26° | 22°×18° | 17°×14° |
| F Number | 1.0 | 1.0 | 1.0 | 1.0 |
| I FOV | 1.32mrad | 0.92mrad | 0.63mrad | 0.48mrad |
| Color Palettes | 20 color modes selectable such as Whitehot, Blackhot, Iron, Rainbow. | | | |
| Optical Module | | | | |
| Image Sensor | 1/2.8" 5MP CMOS | | | |
| Resolution | 2560×1920 | | | |
| Focal Length | 4mm | 6mm | 6mm | 12mm |
| Field of View | 65°×50° | 46°×35° | 46°×35° | 24°×18° |
| Low Illuminator | 0.005Lux @ (F1.2, AGC ON), 0 Lux with IR | | | |
| WDR | 120dB | | | |
| Day/Night | Auto IR-CUT / Electronic ICR | | | |
| Noise Reduction | 3DNR | | | |
| IR Distance | Up to 40m | | | |
| Image Effect | | | | |
| Bi-Spectrum Image Fusion | Display the details of optical channel on thermal channel | | | |
| Picture In Picture | Display thermal channel on optical channel with picture-in-picture mode | | | |

| Network | | |
|--------------------------------|---|--|
| Network Protocols | IPv4, HTTP, HTTPS, QoS, FTP, SMTP, UPnP, SNMP, DNS, DDNS, NTP, RTSP, RTCP, RTP, TCP, UDP, IGMP, ICMP, DHCP | |
| API | ONVIF, SDK | |
| Simultaneous Live View | Up to 20 channels | |
| User Management | Up to 20 users, 3 levels: Administrator, Operator, User | |
| Web Browser | IE, support English, Chinese | |
| Video & Audio | | |
| Main Stream | Visual | 50Hz: 25fps (2560×1920, 2560×1440, 1920×1080, 1280×720) 60Hz: 30fps (2560×1920, 2560×1440, 1920×1080, 1280×720) |
| | Thermal | 50Hz: 25fps (1280×1024, 1024×768) 60Hz: 30fps (1280×1024, 1024×768) |
| Sub Stream | Visual | 50Hz: 25fps (704×576, 352×288) 60Hz: 30fps (704×480, 352×240) |
| | Thermal | 50Hz: 25fps (640×512) 60Hz: 30fps (640×512) |
| Video Compression | H.264/H.265 | |
| Audio Compression | G.711a/G.711u/AAC/PCM | |
| Picture Compression | JPEG | |
| Temperature Measurement | | |
| Temperature Range | -20°C~+550°C | |
| Temperature Accuracy | ±2°C/±2% with max. Value | |
| Temperature Rule | Support global, point, line, area and other temperature measurement rules to linkage alarm | |
| Smart Features | | |
| Fire Detection | Support | |
| Smart Record | Alarm recording, Network disconnection recording | |
| Smart Alarm | Network disconnection, IP addresses conflict, SD card error, Illegal access, burn warning and other abnormal detection to linkage alarm | |
| Smart Detection | Support Tripwire, intrusion and others IVS detection | |
| Voice Intercom | Support 2-ways voice intercom | |
| Alarm Linkage | Video recording / Capture / email / alarm output / audible and visual alarm | |
| Interface | | |
| Network Interface | 1 RJ45, 10M/100M Self-adaptive Ethernet interface | |
| Audio | 1 in, 1 out | |
| Alarm In | 2-ch inputs (DC0-5V) | |
| Alarm Out | 2-ch relay output (Normal Open) | |
| Storage | Support Micro SD card (up to 256G) | |
| Reset | Support | |
| RS485 | 1, support Pelco-D protocol | |

| General | |
|----------------------------|--------------------------|
| Work Temperature /Humidity | -40°C~+70°C, < 95% RH |
| Protection Level | IP67 |
| Power | DC12V±25%, POE (802.3at) |
| Power Consumption | Max. 8W |
| Dimensions | 319.5mm×121.5mm×103.6mm |
| Weight | Approx. 1.8Kg |

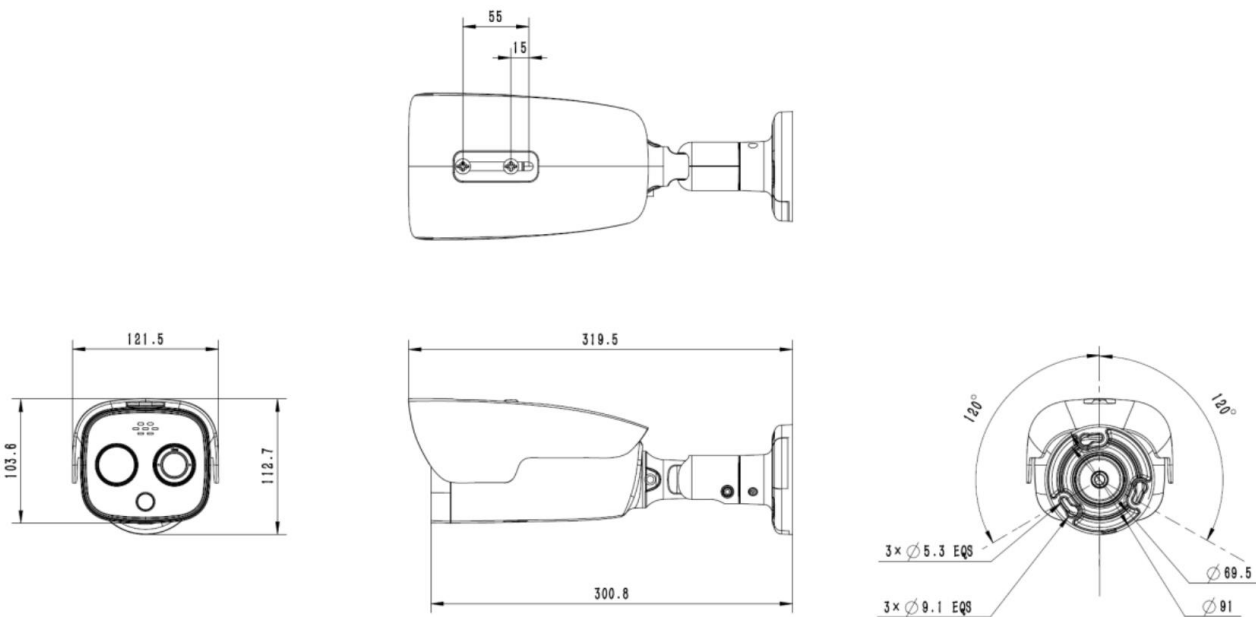
DRI Distance

Target: Human size is 1.8m×0.5m (Critical size is 0.75m), Vehicle size is 1.4m×4.0m (Critical size is 2.3m). The target detection, recognition and identification distances are calculated according to Johnson's Criteria.

The recommended distances of Detection, Recognition and Identification are as follows:

| Lens | Detect | | Recognize | | Identify | |
|-------|-----------------|----------------|---------------|--------------|---------------|--------------|
| | Vehicle | Human | Vehicle | Human | Vehicle | Human |
| 9.1mm | 1163m (3816ft) | 379m (1243ft) | 291m (955ft) | 95m (312ft) | 145m (476ft) | 47m (154ft) |
| 13mm | 1661m (5449ft) | 542m (1778ft) | 415m (1362ft) | 135m (443ft) | 208m (682ft) | 68m (223ft) |
| 19mm | 2428m (7966ft) | 792m (2598ft) | 607m (1991ft) | 198m (650ft) | 303m (994ft) | 99m (325ft) |
| 25mm | 3194m (10479ft) | 1042m (3419ft) | 799m (2621ft) | 260m (853ft) | 399m (1309ft) | 130m (427ft) |

Dimension



Hangzhou Savgood Technology Co., Ltd.

Rm. 701, Xincheng Fazhan Building #1, No. 406 Xintiandi Street,
Xiacheng District, Hangzhou City, 310004, China

Tel: +86 - (571) 8803 8121

Email: sales@savgood.com

<http://www.savgoodtech.com>

<http://www.savgood.com>

*Design and specifications are subject to change without prior notification.

© 2013 Savgood Technology Co., Ltd.