

**SG-PTZ2086N-6T25225****640x512 12μm Thermal and 2MP 86x Zoom Visible Bi-spectrum PTZ Camera**

- Thermal: 12μm 640×512
- Thermal lens: 25~225mm motorized lens
- Visible: 1/2" 2MP CMOS
- Visible lens: 10~860mm, 86x optical zoom
- Support tripwire/intrusion/abandon detection
- Support up to 18 color palettes
- 7/2 alarm in/out, 1/1 audio in/out, 1 analog video
- Micro SD Card, IP66
- Support Fire Detect

**Specification**

Model Number	SG-PTZ2086N-6T25225
<b>Thermal Module</b>	
Detector Type	VOx, uncooled FPA detectors
Max Resolution	640x512
Pixel Pitch	12μm
Spectral Range	8~14μm
NETD	≤50mk (@25°C, F#1.0, 25Hz)
Focal Length	25~225mm
Field of View	17.6°x14.1°~ 2.0°x1.6°(W~T)
F#	F1.0~F1.5
Focus	Auto Focus
Color Palette	18 modes selectable such as Whitehot, Blackhot, Iron, Rainbow.
<b>Optical Module</b>	
Image Sensor	1/2" 2MP CMOS
Resolution	1920x1080
Focal Length	10~860mm, 86x optical zoom
F#	F2.0~F6.8
Focus Mode	Auto / Manual / One-shot auto
FOV	Horizontal: 39.6°~0.5°
Min. Illumination	Color: 0.001Lux/F2.0, B/W: 0.0001Lux/F2.0
WDR	Support
Day/Night	Manual/Auto
Noise Reduction	3D NR

Network		
Network Protocols	TCP, UDP, ICMP, RTP, RTSP, DHCP, PPPOE, UPNP, DDNS, ONVIF, 802.1x, FTP	
Interoperability	ONVIF, SDK	
Simultaneous Live View	Up to 20 channels	
User Management	Up to 20 users, 3 levels: Administrator, Operator and User	
Browser	IE8+, multiple languages	
Video & Audio		
Main Stream	Visual	50Hz: 25fps (1920×1080, 1280×720) 60Hz: 30fps (1920×1080, 1280×720)
	Thermal	50Hz: 25fps (704×576) 60Hz: 30fps (704×480)
Sub Stream	Visual	50Hz: 25fps (1920×1080, 1280×720, 704×576) 60Hz: 30fps (1920×1080, 1280×720, 704×480)
	Thermal	50Hz: 25fps (704×576) 60Hz: 30fps (704×480)
Video Compression	H.264/H.265/MJPEG	
Audio Compression	G.711A/G.711Mu/PCM/AAC/MPEG2-Layer2	
Picture Compression	JPEG	
Smart Features		
Fire Detection	Yes	
Zoom Linkage	Yes	
Smart Record	Alarm trigger recording, disconnection trigger recording (continue transmission after connection)	
Smart Alarm	Support alarm trigger of network disconnection, IP address conflict, full memory, memory error, illegal access and abnormal detection	
Smart Detection	Support smart video analysis such as line intrusion, cross-border, and region intrusion	
Alarm Linkage	Recording/Capture/Sending mail/PTZ linkage/Alarm output	
PTZ		
Pan Range	Pan: 360° Continuous Rotate	
Pan Speed	Configurable, 0.01°~100°/s	
Tilt Range	Tilt: -90°~+90°	
Tilt Speed	Configurable, 0.01°~60°/s	
Preset Accuracy	±0.003°	
Presets	256	
Tour	1	
Scan	1	
Power On/OFF Self-Checking	Yes	
Fan/Heater	Support/Auto	
Defrost	Yes	
Wiper	Support (For visible camera)	
Speed Setup	Speed adaptation to focal length	

Baud-rate	2400/4800/9600/19200bps
<b>Interface</b>	
Network Interface	1 RJ45, 10M/100M Self-adaptive Ethernet interface
Audio	1 in, 1 out (for visible camera only)
Analog Video	1 (BNC, 1.0V[p-p], 75Ω) for Visible Camera only
Alarm In	7 channels
Alarm Out	2 channels
Storage	Support Micro SD card (Max. 256G), hot SWAP
RS485	1, support Pelco-D protocol
<b>General</b>	
Operating Conditions	-40°C~+60°C, <90% RH
Protection Level	IP66
Power Supply	DC48V
Power Consumption	Static power: 35W, Sports power: 160W (Heater ON)
Dimensions	789mm×570mm×513mm (W×H×L)
Weight	Approx. 78kg

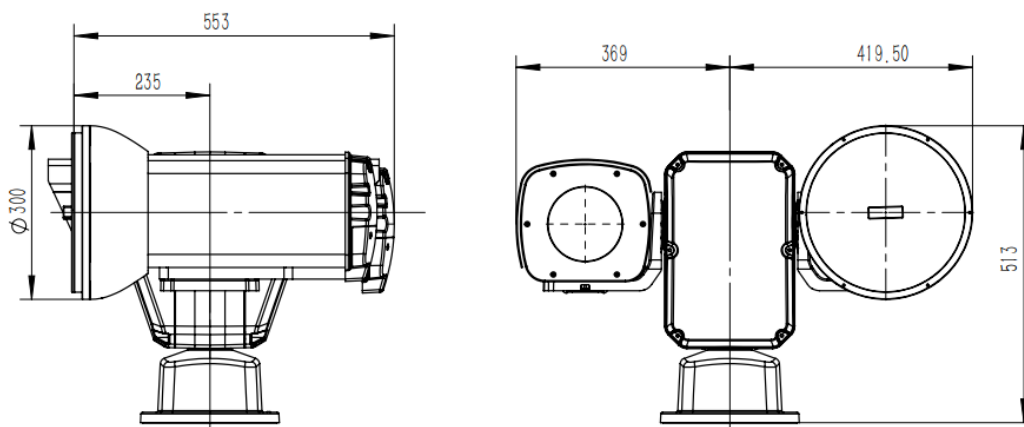
### DRI Distance

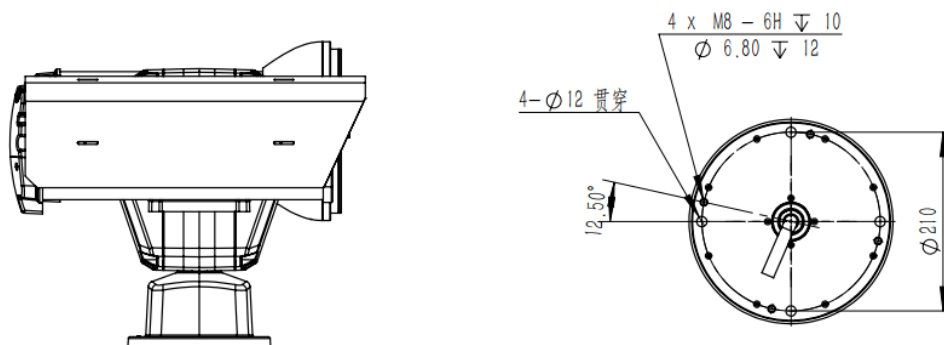
Target: Human size is 1.8m×0.5m (Critical size is 0.75m), Vehicle size is 1.4m×4.0m (Critical size is 2.3m). The target detection, recognition and identification distances are calculated according to Johnson's Criteria.

The recommended distances of Detection, Recognition and Identification are as follows:

Lens	Detect		Recognize		Identify	
	Vehicle	Human	Vehicle	Human	Vehicle	Human
25mm	3194m (10479ft)	1042m (3419ft)	799m (2621ft)	260m (853ft)	399m (1309ft)	130m (427ft)
225mm	28750m (94324ft)	9375m (30758ft)	7188m (23583ft)	2344m (7690ft)	3594m (11791ft)	1172m (3845ft)

### Dimension





---

**Hangzhou Savgood Technology Co., Ltd.**

Rm. 701, Xincheng Fazhan Building #1, No. 406 Xintiandi Street,  
Xiacheng District, Hangzhou City, 310004, China

Tel: +86 - (571) 8803 8121

Email: sales@savgood.com

<http://www.savgoodtech.com>

<http://www.savgood.com>

\*Design and specifications are subject to change without prior notification.

© 2013 Savgood Technology Co., Ltd.