

SG-DC025-3T**256x192 12μm Thermal and 5MP Visible Bi-spectrum Dome Camera**

- Thermal: 12μm 256×192
- Thermal lens: 3.2mm athermalized lens
- Visible: 1/2.7" 5MP CMOS
- Visible lens: 4mm
- Support tripwire/intrusion/abandon detection
- Support up to 20 color palettes
- 1/1 alarm in/out, 1/1 audio in/out
- Micro SD Card, IP67, PoE
- Support Fire Detect, Temperature Measurement

Specification

Model Number	SG-DC025-3T
Thermal Module	
Detector Type	Vanadium Oxide Uncooled Focal Plane Arrays
Max. Resolution	256×192
Pixel Pitch	12μm
Spectral Range	8 ~ 14μm
NETD	≤40mk (@25°C, F#=1.0, 25Hz)
Focal Length	3.2mm
Field of View	56°×42.2°
F Number	1.1
IFOV	3.75mrad
Color Palettes	18 color modes selectable such as Whitehot, Blackhot, Iron, Rainbow.
Optical Module	
Image Sensor	1/2.7" 5MP CMOS
Resolution	2592×1944
Focal Length	4mm
Field of View	84°×60.7°
Low Illuminator	0.0018Lux @ (F1.6, AGC ON), 0 Lux with IR
WDR	120dB
Day/Night	Auto IR-CUT / Electronic ICR
Noise Reduction	3DNR
IR Distance	Up to 30m
Image Effect	
Bi-Spectrum Image Fusion	Display the details of optical channel on thermal channel
Picture In Picture	Display thermal channel on optical channel with picture-in-picture mode

Network		
Network Protocols	IPv4, HTTP, HTTPS, QoS, FTP, SMTP, UPnP, SNMP, DNS, DDNS, NTP, RTSP, RTCP, RTP, TCP, UDP, IGMP, ICMP, DHCP	
API	ONVIF, SDK	
Simultaneous Live View	Up to 8 channels	
User Management	Up to 32 users, 3 levels: Administrator, Operator, User	
Web Browser	IE, support English, Chinese	
Video & Audio		
Main Stream	Visual	50Hz: 25fps (2592×1944, 2560×1440, 1920×1080) 60Hz: 30fps (2592×1944, 2560×1440, 1920×1080)
	Thermal	50Hz: 25fps (1280×960, 1024×768) 60Hz: 30fps (1280×960, 1024×768)
Sub Stream	Visual	50Hz: 25fps (704×576, 352×288) 60Hz: 30fps (704×480, 352×240)
	Thermal	50Hz: 25fps (640×480, 256×192) 60Hz: 30fps (640×480, 256×192)
Video Compression	H.264/H.265	
Audio Compression	G.711a/G.711u/AAC/PCM	
Picture Compression	JPEG	
Temperature Measurement		
Temperature Range	-20°C~+550°C	
Temperature Accuracy	±2°C/±2% with max. Value	
Temperature Rule	Support global, point, line, area and other temperature measurement rules to linkage alarm	
Smart Features		
Fire Detection	Support	
Smart Record	Alarm recording, Network disconnection recording	
Smart Alarm	Network disconnection, IP addresses conflict, SD card error, Illegal access, burn warning and other abnormal detection to linkage alarm	
Smart Detection	Support Tripwire, intrusion and others IVS detection	
Voice Intercom	Support 2-ways voice intercom	
Alarm Linkage	Video recording / Capture / email / alarm output / audible and visual alarm	
Interface		
Network Interface	1 RJ45, 10M/100M Self-adaptive Ethernet interface	
Audio	1 in, 1 out	
Alarm In	1-ch inputs (DC0-5V)	
Alarm Out	1-ch relay output (Normal Open)	
Storage	Support Micro SD card (up to 256G)	
Reset	Support	
RS485	1, support Pelco-D protocol	

General	
Work Temperature /Humidity	-40°C~+70°C, < 95% RH
Protection Level	IP67
Power	DC12V±25%, POE (802.3af)
Power Consumption	Max. 10W
Dimensions	Φ129mm×96mm
Weight	Approx. 800g

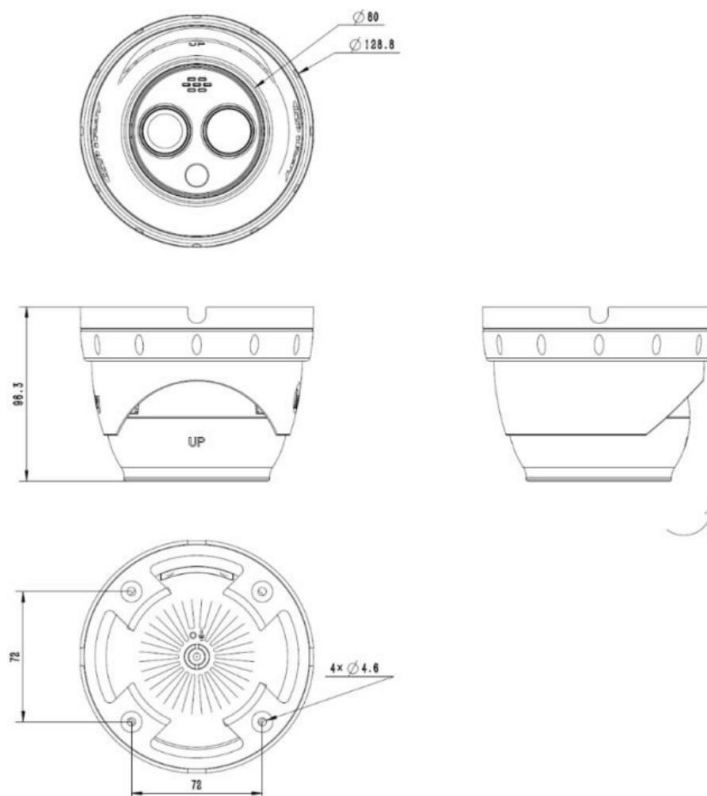
DRI Distance

Target: Human size is 1.8m×0.5m (Critical size is 0.75m), Vehicle size is 1.4m×4.0m (Critical size is 2.3m). The target detection, recognition and identification distances are calculated according to Johnson's Criteria.

The recommended distances of Detection, Recognition and Identification are as follows:

Lens	Detect		Recognize		Identify	
	Vehicle	Human	Vehicle	Human	Vehicle	Human
3.2mm	409m (1342ft)	133m (436ft)	102m (335ft)	33m (108ft)	51m (167ft)	17m (56ft)

Dimension



Hangzhou Savgood Technology Co., Ltd.

Rm. 701, Xincheng Fazhan Building #1, No. 406 Xintiandi Street,
 Xiacheng District, Hangzhou City, 310004, China
 Tel: +86 - (571) 8803 8121
 Email: sales@savgood.com
<http://www.savgoodtech.com>
<http://www.savgood.com>

*Design and specifications are subject to change without prior notification.
 © 2013 Savgood Technology Co., Ltd.