

SG-BC035-9(13,19,25)T

384x288 12μm Thermal and 5MP Visible Bi-spectrum Bullet Camera



- Thermal: 12μm 384×288
- Thermal lens: 9.1mm/13mm/19mm/25mm athermalized lens
- Visible: 1/2.8" 5MP CMOS
- Visible lens: 6mm/6mm/12mm/12mm
- Support tripwire/intrusion/abandon detection
- Support up to 20 color palettes
- 2/2 alarm in/out, 1/1 audio in/out
- Micro SD Card, IP67, PoE
- Support Fire Detect, Temperature Measurement

Specification

Model Number	SG-BC035-9T	SG-BC035-13T	SG-BC035-19T	SG-BC035-25T
Thermal Module				
Detector Type	Vanadium Oxide Uncooled Focal Plane Arrays			
Max. Resolution	384×288			
Pixel Pitch	12μm			
Spectral Range	8 ~ 14μm			
NETD	≤40mk (@25°C, F#=1.0, 25Hz)			
Focal Length	9.1mm	13mm	19mm	25mm
Field of View	28°×21°	20°×15°	13°×10°	10°×7.9°
F Number	1.0	1.0	1.0	1.0
I FOV	1.32mrad	0.92mrad	0.63mrad	0.48mrad
Color Palettes	20 color modes selectable such as Whitehot, Blackhot, Iron, Rainbow.			
Optical Module				
Image Sensor	1/2.8" 5MP CMOS			
Resolution	2560×1920			
Focal Length	6mm	6mm	12mm	12mm
Field of View	46°×35°	46°×35°	24°×18°	24°×18°
Low Illuminator	0.005Lux @ (F1.2, AGC ON), 0 Lux with IR			
WDR	120dB			
Day/Night	Auto IR-CUT / Electronic ICR			
Noise Reduction	3DNR			
IR Distance	Up to 40m			
Image Effect				
Bi-Spectrum Image Fusion	Display the details of optical channel on thermal channel			
Picture In Picture	Display thermal channel on optical channel with picture-in-picture mode			

Network		
Network Protocols	IPv4, HTTP, HTTPS, QoS, FTP, SMTP, UPnP, SNMP, DNS, DDNS, NTP, RTSP, RTCP, RTP, TCP, UDP, IGMP, ICMP, DHCP	
API	ONVIF, SDK	
Simultaneous Live View	Up to 20 channels	
User Management	Up to 20 users, 3 levels: Administrator, Operator, User	
Web Browser	IE, support English, Chinese	
Video & Audio		
Main Stream	Visual	50Hz: 25fps (2560×1920, 2560×1440, 1920×1080, 1280×720) 60Hz: 30fps (2560×1920, 2560×1440, 1920×1080, 1280×720)
	Thermal	50Hz: 25fps (1280×1024, 1024×768) 60Hz: 30fps (1280×1024, 1024×768)
Sub Stream	Visual	50Hz: 25fps (704×576, 352×288) 60Hz: 30fps (704×480, 352×240)
	Thermal	50Hz: 25fps (384×288) 60Hz: 30fps (384×288)
Video Compression	H.264/H.265	
Audio Compression	G.711a/G.711u/AAC/PCM	
Picture Compression	JPEG	
Temperature Measurement		
Temperature Range	-20°C~+550°C	
Temperature Accuracy	±2°C/±2% with max. Value	
Temperature Rule	Support global, point, line, area and other temperature measurement rules to linkage alarm	
Smart Features		
Fire Detection	Support	
Smart Record	Alarm recording, Network disconnection recording	
Smart Alarm	Network disconnection, IP addresses conflict, SD card error, Illegal access, burn warning and other abnormal detection to linkage alarm	
Smart Detection	Support Tripwire, intrusion and others IVS detection	
Voice Intercom	Support 2-ways voice intercom	
Alarm Linkage	Video recording / Capture / email / alarm output / audible and visual alarm	
Interface		
Network Interface	1 RJ45, 10M/100M Self-adaptive Ethernet interface	
Audio	1 in, 1 out	
Alarm In	2-ch inputs (DC0-5V)	
Alarm Out	2-ch relay output (Normal Open)	
Storage	Support Micro SD card (up to 256G)	
Reset	Support	
RS485	1, support Pelco-D protocol	

General	
Work Temperature /Humidity	-40°C~+70°C, < 95% RH
Protection Level	IP67
Power	DC12V±25%, POE (802.3at)
Power Consumption	Max. 8W
Dimensions	319.5mm×121.5mm×103.6mm
Weight	Approx. 1.8Kg

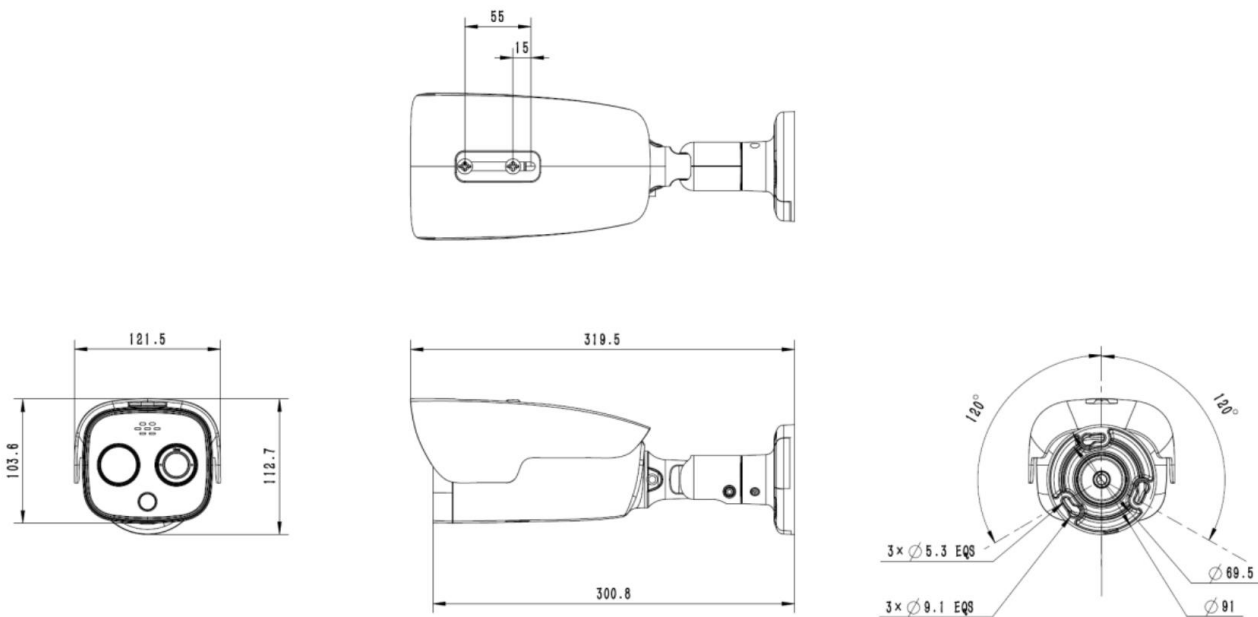
DRI Distance

Target: Human size is 1.8m×0.5m (Critical size is 0.75m), Vehicle size is 1.4m×4.0m (Critical size is 2.3m). The target detection, recognition and identification distances are calculated according to Johnson's Criteria.

The recommended distances of Detection, Recognition and Identification are as follows:

Lens	Detect		Recognize		Identify	
	Vehicle	Human	Vehicle	Human	Vehicle	Human
9.1mm	1163m (3816ft)	379m (1243ft)	291m (955ft)	95m (312ft)	145m (476ft)	47m (154ft)
13mm	1661m (5449ft)	542m (1778ft)	415m (1362ft)	135m (443ft)	208m (682ft)	68m (223ft)
19mm	2428m (7966ft)	792m (2598ft)	607m (1991ft)	198m (650ft)	303m (994ft)	99m (325ft)
25mm	3194m (10479ft)	1042m (3419ft)	799m (2621ft)	260m (853ft)	399m (1309ft)	130m (427ft)

Dimension



Hangzhou Savgood Technology Co., Ltd.

Rm. 701, Xincheng Fazhan Building #1, No. 406 Xintiandi Street,
 Xiacheng District, Hangzhou City, 310004, China
 Tel: +86 - (571) 8803 8121
 Email: sales@savgood.com
<http://www.savgoodtech.com>
<http://www.savgood.com>

*Design and specifications are subject to change without prior notification.
 © 2013 Savgood Technology Co., Ltd.