

**SG-PTZ4035N-3T75(2575)****384x288 12μm Thermal and 4MP 35x Zoom Visible Bi-spectrum PTZ Camera**

- Thermal: 12μm 384×288
- Thermal lens: 75mm/25~75mm motor lens
- Visible: 1/1.8" 4MP CMOS
- Visible lens: 6~210mm, 35x optical zoom
- Support tripwire/intrusion/abandon detection
- Support up to 18 color palettes
- 7/2 alarm in/out, 1/1 audio in/out, 1 analog video
- Micro SD Card, IP66
- Support Fire Detect

**Specification**

Model Number	SG-PTZ4035N-3T75	SG-PTZ4035N-3T2575
<b>Thermal Module</b>		
Detector Type	VOx, uncooled FPA detectors	
Max Resolution	384x288	
Pixel Pitch	12μm	
Spectral Range	8~14μm	
NETD	≤50mk (@25°C, F#1.0, 25Hz)	
Focal Length	75mm	25~75mm
Field of View	3.5°×2.6°	3.5°×2.6°~10.6°×7.9°
F#	F1.0	F0.95~F1.2
Spatial Resolution	0.16mrad	0.16~0.48mrad
Focus	Auto Focus	Auto Focus
Color Palette	18 modes selectable such as Whitehot, Blackhot, Iron, Rainbow.	
<b>Optical Module</b>		
Image Sensor	1/1.8" 4MP CMOS	
Resolution	2560×1440	
Focal Length	6~210mm, 35x optical zoom	
F#	F1.5~F4.8	
Focus Mode	Auto / Manual / One-shot auto	
FOV	Horizontal: 66°~2.12°	
Min. Illumination	Color: 0.004Lux/F1.5, B/W: 0.0004Lux/F1.5	

WDR	Support	
Day/Night	Manual/Auto	
Noise Reduction	3D NR	
<b>Network</b>		
Network Protocols	TCP, UDP, ICMP, RTP, RTSP, DHCP, PPPOE, UPNP, DDNS, ONVIF, 802.1x, FTP	
Interoperability	ONVIF, SDK	
Simultaneous Live View	Up to 20 channels	
User Management	Up to 20 users, 3 levels: Administrator, Operator and User	
Browser	IE8+, multiple languages	
<b>Video &amp; Audio</b>		
Main Stream	Visual	50Hz: 25fps (2592×1520, 1920×1080, 1280×720) 60Hz: 30fps (2592×1520, 1920×1080, 1280×720)
	Thermal	50Hz: 25fps (704×576) 60Hz: 30fps (704×480)
Sub Stream	Visual	50Hz: 25fps (1920×1080, 1280×720, 704×576) 60Hz: 30fps (1920×1080, 1280×720, 704×480)
	Thermal	50Hz: 25fps (704×576) 60Hz: 30fps (704×480)
Video Compression	H.264/H.265/MJPEG	
Audio Compression	G.711A/G.711Mu/PCM/AAC/MPEG2-Layer2	
Picture Compression	JPEG	
<b>Smart Features</b>		
Fire Detection	Yes	
Zoom Linkage	Yes	
Smart Record	Alarm trigger recording, disconnection trigger recording (continue transmission after connection)	
Smart Alarm	Support alarm trigger of network disconnection, IP address conflict, full memory, memory error, illegal access and abnormal detection	
Smart Detection	Support smart video analysis such as line intrusion, cross-border, and region intrusion	
Alarm Linkage	Recording/Capture/Sending mail/PTZ linkage/Alarm output	
<b>PTZ</b>		
Pan Range	Pan: 360° Continuous Rotate	
Pan Speed	Configurable, 0.1°~100°/s	
Tilt Range	Tilt: -90°~+40°	
Tilt Speed	Configurable, 0.1°~60°/s	
Preset Accuracy	±0.02°	
Presets	256	
Patrol Scan	8, up to 255 presets per patrol	
Pattern Scan	4	
Linear Scan	4	
Panorama Scan	1	

3D Positioning	Yes
Power Off Memory	Yes
Speed Setup	Speed adaptation to focal length
Position Setup	Support, configurable in horizontal /vertical
Privacy Mask	Yes
Park	Preset/Pattern Scan/Patrol Scan/Linear Scan/Panorama Scan
Scheduled Task	Preset/Pattern Scan/Patrol Scan/ Linear Scan/Panorama Scan
Anti-burn	Yes
Remote Power-off Reboot	Yes
<b>Interface</b>	
Network Interface	1 RJ45, 10M/100M Self-adaptive Ethernet interface
Audio	1 in, 1 out
Analog Video	1.0V[p-p]/75Ω, PAL or NTSC, BNC head
Alarm In	7 channels
Alarm Out	2 channels
Storage	Support Micro SD card (Max. 256G), hot SWAP
RS485	1, support Pelco-D protocol
<b>General</b>	
Operating Conditions	-40°C~+70°C, <95% RH
Protection Level	IP66, TVS 6000V Lightning Protection, Surge Protection and Voltage Transient Protection, Conform to GB/T17626.5 Grade-4 Standard
Power Supply	AC24V
Power Consumption	Max. 75W
Dimensions	250mm×472mm×360mm (W×H×L)
Weight	Approx. 14kg

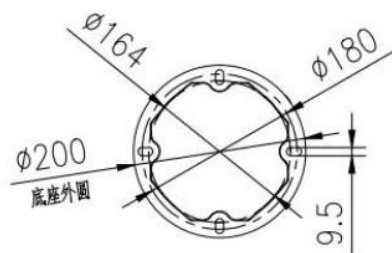
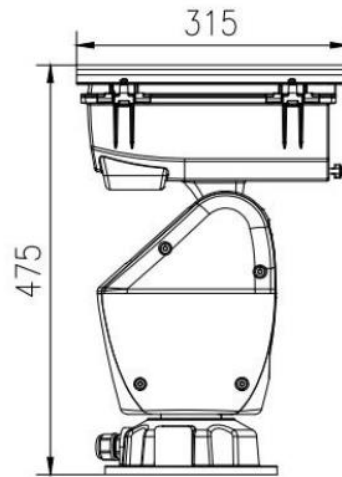
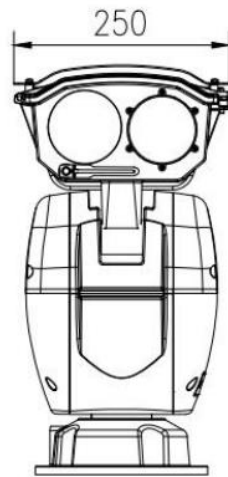
## DRI Distance

Target: Human size is 1.8m×0.5m (Critical size is 0.75m), Vehicle size is 1.4m×4.0m (Critical size is 2.3m). The target detection, recognition and identification distances are calculated according to Johnson's Criteria.

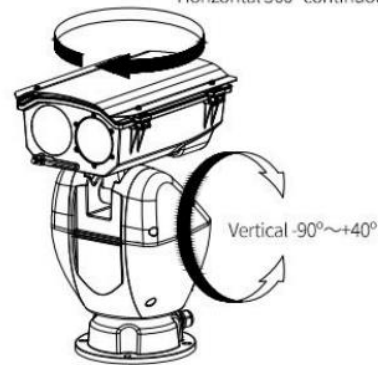
The recommended distances of Detection, Recognition and Identification are as follows:

Lens	Detect		Recognize		Identify	
	Vehicle	Human	Vehicle	Human	Vehicle	Human
25mm	3194m (10479ft)	1042m (3419ft)	799m (2621ft)	260m (853ft)	399m (1309ft)	130m (427ft)
75mm	9583m (31440ft)	3125m (10253ft)	2396m (7861ft)	781m (2562ft)	1198m (3930ft)	391m (1283ft)

## Dimension



Horizontal 360° continuous rotation



The rotation radius is about 300mm

**Hangzhou Savgood Technology Co., Ltd.**

Rm. 701, Xincheng Fazhan Building #1, No. 406 Xintiandi Street,  
Xiacheng District, Hangzhou City, 310004, China

Tel: +86 - (571) 8803 8121

Email: sales@savgood.com

<http://www.savgoodtech.com>

<http://www.savgood.com>

\*Design and specifications are subject to change without prior notification.

© 2013 Savgood Technology Co., Ltd.